

- ✓ for vacuum or drying
- ✓ optional electrical connections
- ✓ 180° or 360° rotation
- ✓ polished stainless steel
- ✓ tough design
- ✓ high quality machining
- ✓ self lubricated ball bearings
- ✓ ready to use

The Air-boom eliminates the hose being dragged or left lying on the ground and gives the operator more space for movements.

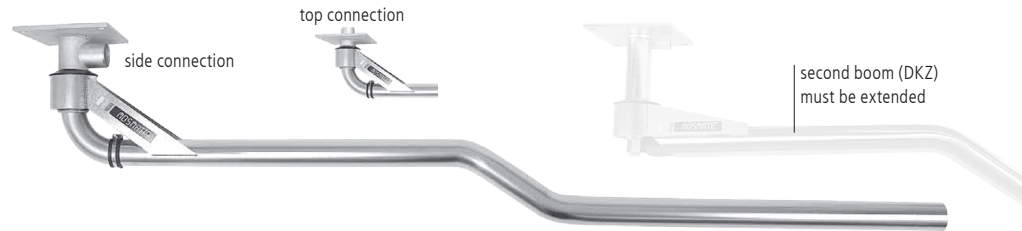
Available for: Wall-, Floor- and Ceiling mounting for vacuum or drying.



LU-2" DZ (Air-boom «Z» for Ceiling installation)

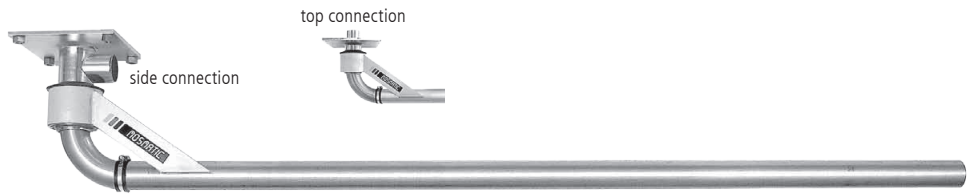
Part No.	L1	D	Connection	Weight
60.324	5'3"	2"	side	19 lbs
60.326	5'3"	2"	top	18 lbs

Part No. includes one boom.



LU-D (Air-boom straight, ceiling mounted)

Part No.	L1	D	Connection	Weight
60.301	5'3"	1.5"	side	17 lbs
60.306	5'3"	1.5"	top	18 lbs
60.310	5'3"	2"	side	17 lbs
60.313	5'3"	2"	top	18 lbs



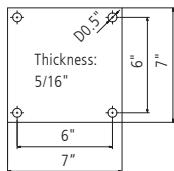
LU-W (Air-boom straight, wall mounted)

Part No.	L1	D	Connection	Weight
60.302	5'3"	1.5"	bottom	17 lbs
60.311	5'3"	2"	bottom	18 lbs

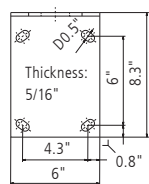


Accessories see page 108

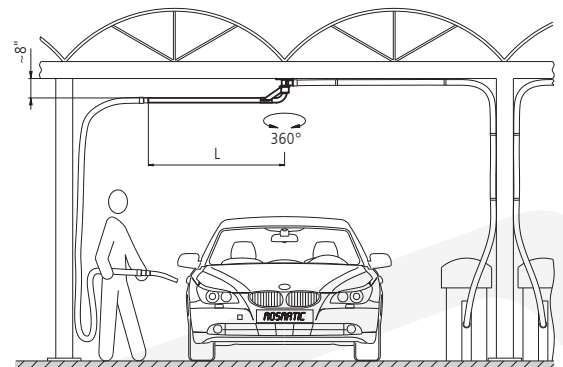
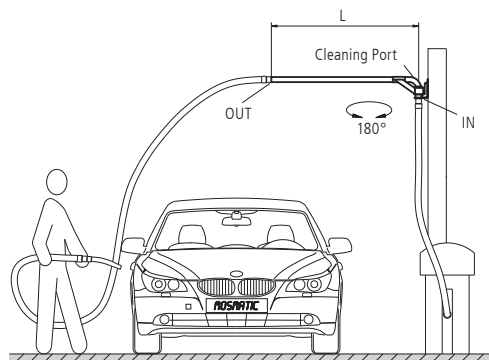
Ceiling Mounting Plate



Wall Mounting Plate



Bearable load for each bore at least 30'000 N (for example 1/2" bolt)



Legend

M.. = metric thrust, ..M = male, F = female, G = gas pipe thrust, QV = quick connects, SV = profile ring fitting
 D = diameter, k = conical, L = length, NW = nominal width, SW = wrench size, IN = media input, OUT = media output, RS = basic position

Floor Mount

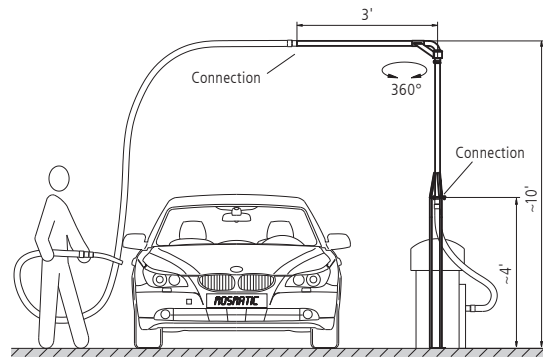
- ✓ for 1 to 2 booms
 - ✓ up to 180° or 360° rotation
 - ✓ polished stainless steel
 - ✓ tough design
 - ✓ ready to use
- MOSMATIC Dryer**
- ✓ dryer for Air-boom
 - ✓ ready to use



LU-B (Floor Mount 360°)

Part No.	D	Weight
60.303	1.5"	38 lbs
60.312	2"	48 lbs

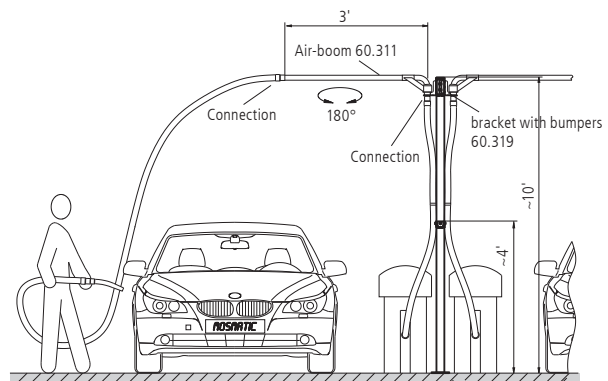
incl. Air-boom



LU-Z (Air-boom-Post)

Part No.	Weight
60.318	53 lbs

without Air-boom



MOSMATIC DRYER

Dryer unit suitable for all MOSMATIC Air-booms. A new attraction in your wash bay.

Part No.	Weight
60.397	70 lbs

Accessories see page 108



Universal dryer used for cars, motorcycles and boats. For wall or ceiling installations. Also installs directly to vacuum cleaner universal mounting plate.

- Ready to use:
- dryer, 120VAC, illuminated
 - 2x 13 ampere motors (2x 20 amp circuits)
 - air-gun
 - gun-holder
 - hoses for connections
 - operator's guide board
 - assembly instructions

Legend

M. = metric thrust, **..M** = male, **F** = female, **G** = gas pipe thrust, **QV** = quick connects, **SV** = profile ring fitting
D = diameter, **k** = conical, **L** = length, **NW** = nominal width, **SW** = wrench size, **IN** = media input, **OUT** = media output, **RS** = basic position