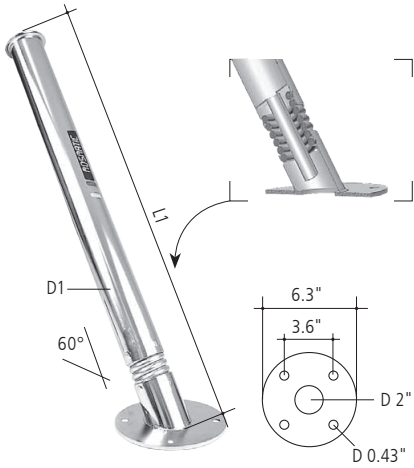


- ✓ polished stainless steel
- ✓ tough design
- ✓ high quality machining
- ✓ smart solutions
- ✓ ready to use



Wand holder

spring model, floor mounted, with recovery port

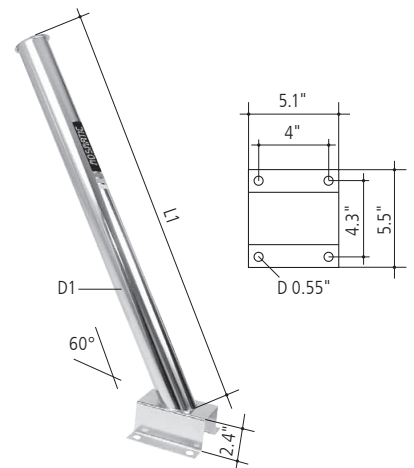
Part No.	L1	D1	Weight
29.097	27.8"	2.4"	6.8 lbs
29.121	33.7"	2.4"	8.4 lbs



Wand holder

with stop feature, floor mounted

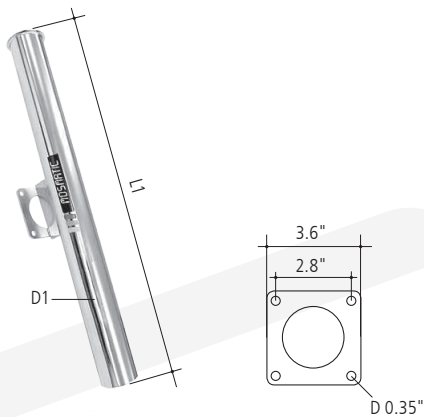
Part No.	L1	D1	Weight
29.028	29.5"	2.4"	4.4 lbs
29.113*	29"	2.4"	5.3 lbs



Wand holder

with recovery port, floor mounted

Part No.	L1	D1	Weight
29.115	29"	2.4"	4.4 lbs



Wand holder

wall mounted

Part No.	L1	D1	Weight
29.083	23.2"	2.4"	3.7 lbs
29.128	8"	2.4"	2.0 lbs



Brush bucket

wall- and floor mounted, polished stainless steel, 2" drain plug

Part No.	B	H	T	Weight
29.026	13.4"	26.8"	5.6"	18 lbs



Brush bucket

wall- and floor mounted with overflow, polished stainless steel, 2" drain plug

Part No.	B	H	T	Weight
29.027	13.4"	26.8"	5.6"	18.5 lbs
29.114*	13.4"	26.8"	6.4"	18.5 lbs

Legend

M. = metric thrust, **..M** = male, **F** = female, **G** = gas pipe thrust, **QV** = quick connects, **SV** = profile ring fitting
D = diameter, **k** = conical, **L** = length, **NW** = nominal width, **SW** = wrench size, **IN** = media input, **OUT** = media output, **RS** = basic position