

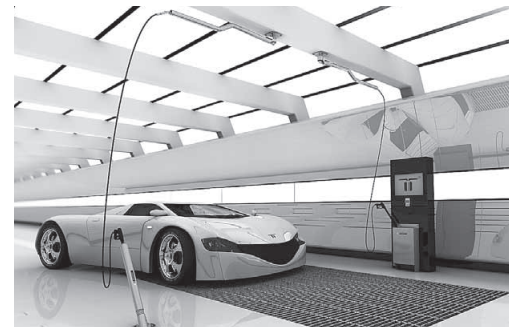
- ✓ complete package at a preferred price
- ✓ booms made of stainless steel
- ✓ wand with HP-Gun and Nozzle
- ✓ brush-Wand with rotating Handle
- ✓ incl. High-Pressure Hoses, Brush-Holder, Brush-Bucket and Mat-Holders
- ✓ ready to use
- ✓ optional with Air-Boom Package

2 Packages, 4 Possibilities

Easy combine:

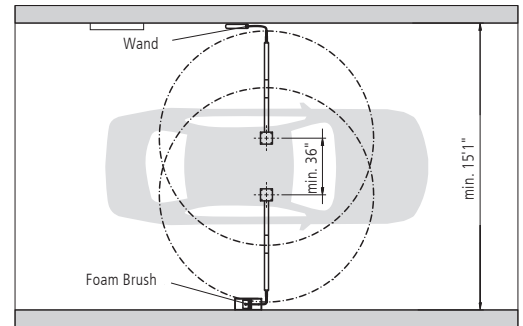
- Dual Set-up
- Triple Set-up
- Dual Set-up with MOSMATIC DRY
- Triple Set-up with MOSMATIC DRY

Products suited for Water Recycling



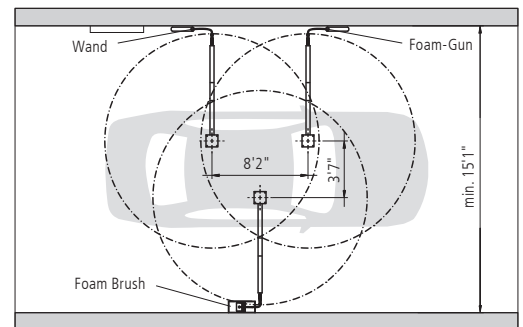
Dual Set-up

Part No.	65.937	
Contains		
Part No.	Quantity	Description
65.019	2x	DKZ-Boom, 5'1", polished
26.980	1x	Wand straight, 20"/8", with nozzle guard
2507	1x	High pressure nozzle 2507
32.564	1x	DGV gun swivel, 3/8" NPTF - 3/8" NPTM
29.097	1x	Wand-Holder spring model, with recovery port, floor mounted, stainless steel
29.082	1x	HP-Gun with weep-system, 4500psi, 300°F
25.922	1x	Brush Wand straight, 41"/32", swiveling
29.027	1x	Brush-Bucket wall- and floor mounted, 2" drain plug with overflow, stainless steel
90.001	2x	Mat-holders blue, stainless steel
19.026	2x	HP-hose blue, NW8, 5800psi, 300°F, length: 15'



Triple Set-up

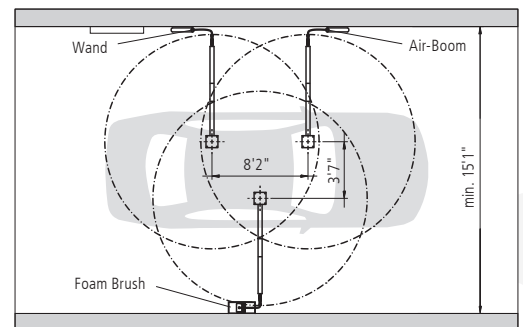
Part No.	65.938	
Contains		
Part No.	Quantity	Description
65.019	3x	DKZ-Boom, 5'1", polished
26.980	1x	Wand straight, 20"/8", with nozzle guard
2507	1x	High pressure nozzle 2507
32.564	1x	DGV gun swivel, 3/8" NPTF - 3/8" NPTM
29.097	1x	Wand-Holder spring model, with recovery port, floor mounted, stainless steel
29.082	1x	HP-Gun with weep-system, 4500psi, 300°F
25.922	1x	Brush Wand straight, 41"/32", swiveling
29.027	1x	Brush-Bucket wall- and floor mounted, 2" drain plug with overflow, stainless steel
29.085	1x	Foam Gun
5040	1x	High pressure nozzle 5040
29.084	1x	Foam gun holder, wall mount
90.001	2x	Mat-holders blue, stainless steel
19.026	3x	HP-hose blue, NW8, 5800psi, 300°F, length: 15'



MOSMATIC DRY Add-on to Dual Set-up

Part No.	60.929	
Contains additionally		
Part No.	Quantity	Description
60.326	1x	Air-Boom 2", 5'3", Ceiling-mounted
60.314	1x	90° elbow, 2", including clamp, INOX
60.320	1x	Pulley, including clamp
60.397	1x	MOSMATIC DRY „Dryer“, wall-model, 110VAC

Learn more about MOSMATIC DRY on page 85



DKZ booms must be extended with part no. 902.753. See page 107.

Legend

M.. = metric thrust, **.M** = male, **F** = female, **G** = gas pipe thrust, **QV** = quick connects, **SV** = profile ring fitting
D = diameter, **k** = conical, **L** = length, **NW** = nominal width, **SW** = wrench size, **IN** = media input, **OUT** = media output, **RS** = basic position