

CEILING BOOM INLINE



- ✓ 360° rotation
- ✓ polished stainless steel
- ✓ tough design
- ✓ self lubricated ball bearing
- ✓ high quality swivels included
- ✓ insulated high pressure hose
- ✓ hose protection / tension relief
- ✓ ready to use

Technical Data

Pressure 4000 psi (27.5 MPa)
Temperature 250°F
Inlet (top & side) 3/8" NPTF
Outlet 3/8" NPTF

Throughput medium pH 3 - 12



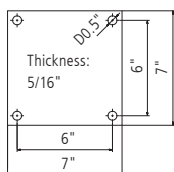
DKP

Part No.	L	Weight
66.009	4'9"	21 lbs
66.019	5'3"	22 lbs
66.029	5'9"	22.5 lbs
66.039	6'3"	23 lbs
66.049	6'9"	24 lbs
66.059	7'5"	24.5 lbs
66.069	8'2"	25 lbs
66.079	9'	26 lbs
66.089	9'10"	27 lbs
66.959	18'8"	39.5 lbs

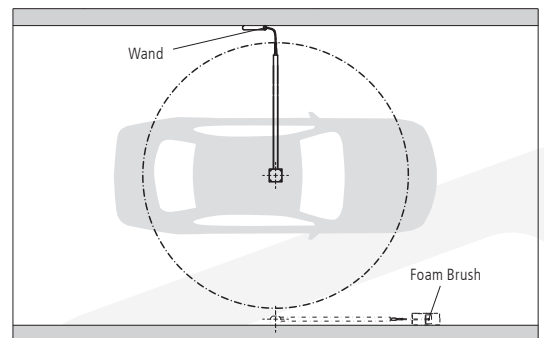
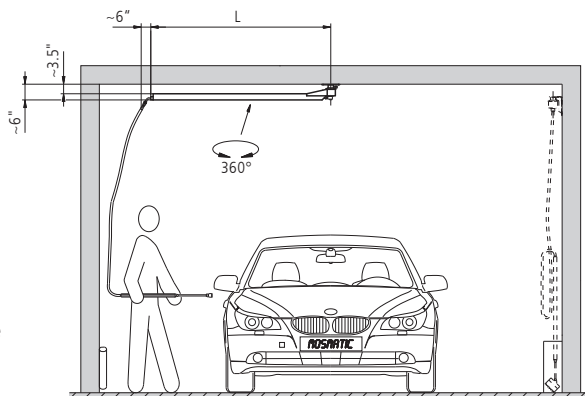


Accessories see page 107

Ceiling Mounting Plate



Bearable load for each bore at least 30'000 N (for example 1/2" bolt)



Legend

M.. = metric thrust, **..M** = male, **F** = female, **G** = gas pipe thrust, **QV** = quick connects, **SV** = profile ring fitting
D = diameter, **k** = conical, **L** = length, **NW** = nominal width, **SW** = wrench size, **IN** = media input, **OUT** = media output, **RS** = basic position