

CEILING BOOM Z-SERIES



- ✓ 360° rotation
- ✓ polished stainless steel
- ✓ tough design
- ✓ self lubricated ball bearing
- ✓ high quality swivels included
- ✓ insulated high pressure hose
- ✓ hose protection / tension relief
- ✓ ready to use

Technical Data

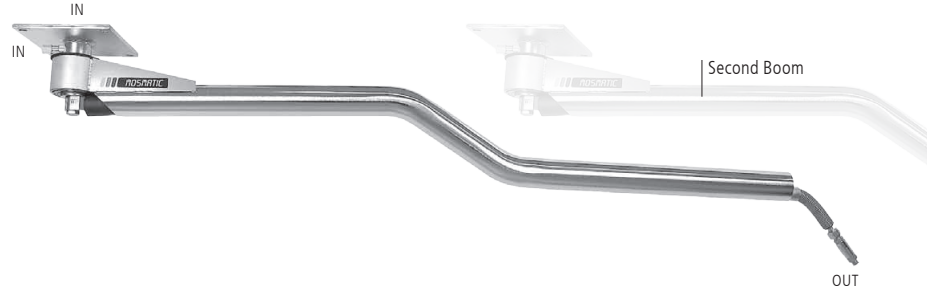
Pressure	4000 psi (27.5 MPa)
Temperature	250°F
Inlet (top & side)	3/8" NPTF
Outlet	3/8" NPTF
Throughput medium	pH 3 - 12



DKZ

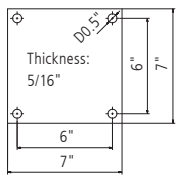
Part No.	L	A	B	C	D	Weight
65.009	4'9"	14'	34"	55"	28"	22 lbs
65.019	5'1"	15'	36"	59"	30"	23 lbs
65.029	5'5"	16'	38"	63"	32"	24 lbs
65.039	5'9"	17'	40"	67"	34"	26 lbs

Part No. includes one ceiling boom

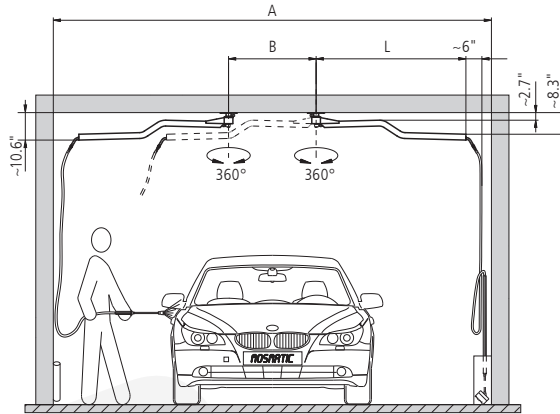


Accessories see page 107

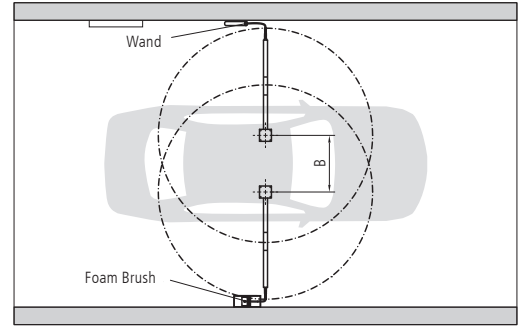
Ceiling Mounting Plate



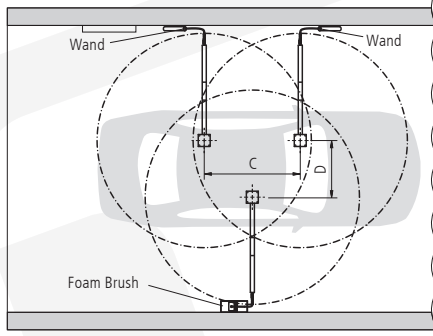
Bearable load for each bore at least 30'000 N (for example 1/2" bolt)



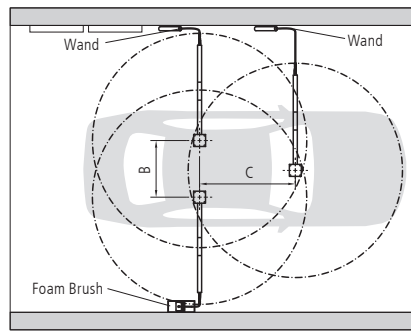
Dual Set-up (suitable for mounting bracket 65.903)



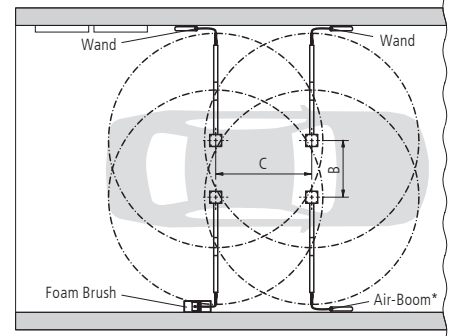
Triple Set-up (not suitable for mounting bracket 65.903)



Triple Set-up (suitable for mounting bracket 65.903)



Quadruple Set-up (suitable for mounting bracket 65.903)



*In conjunction with air boom DKZ booms must be extended with part no. 902.753.

Legend

M. = metric thrust, **..M** = male, **F** = female, **G** = gas pipe thrust, **QV** = quick connects, **SV** = profile ring fitting
D = diameter, **k** = conical, **L** = length, **NW** = nominal width, **SW** = wrench size, **IN** = media input, **OUT** = media output, **RS** = basic position