

- ✓ 360° rotation
- ✓ polished stainless steel
- ✓ tough design
- ✓ self lubricated ball bearing
- ✓ high quality swivels included
- ✓ insulated high pressure hose or insulated high pressure pipe
- ✓ hose protection / tension relief
- ✓ ready to use

### Technical Data

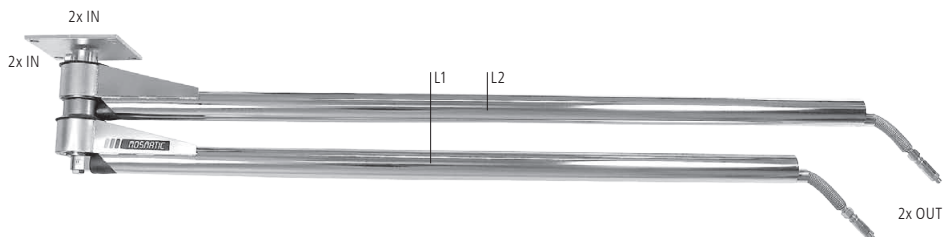
<b>Pressure</b>	4000 psi (27.5 MPa)
<b>Temperature</b>	250°F
<b>Inlet (top &amp; side)</b>	3/8" NPTF
<b>Outlet</b>	3/8" NPTF
<b>Throughput medium</b>	pH 3 - 12



When using high and low pressure, we recommend to set the low pressure on the upper boom.

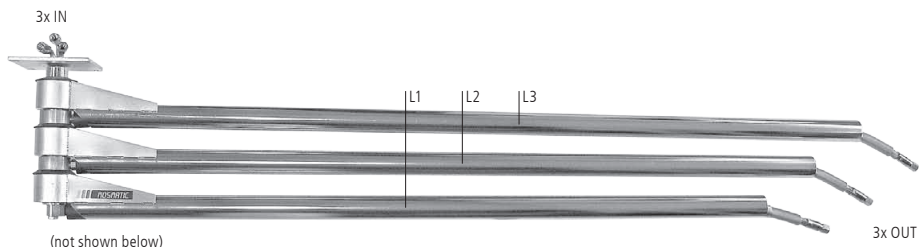
### DDP

Part No.	L1	L2	L3	Weight
67.409	4'9"	5'3"	-	39 lbs
67.419	5'3"	5'9"	-	41 lbs
67.429	5'9"	6'3"	-	42 lbs
67.439	6'3"	6'9"	-	44 lbs
67.449	6'9"	7'5"	-	46 lbs
67.459	7'5"	8'2"	-	48 lbs



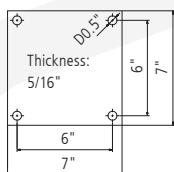
### DP3

Part No.	L1	L2	L3	Weight
69.419	4'9"	5'3"	5'9"	54 lbs
69.429	5'3"	5'9"	6'3"	56 lbs
69.439	5'9"	6'3"	6'9"	58 lbs

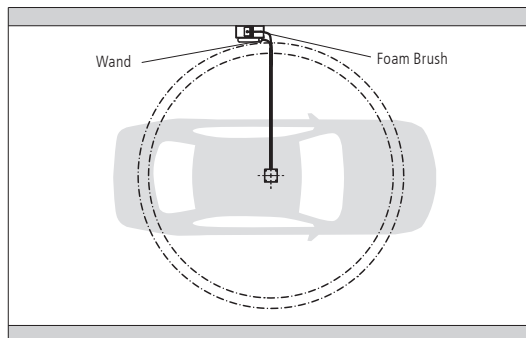
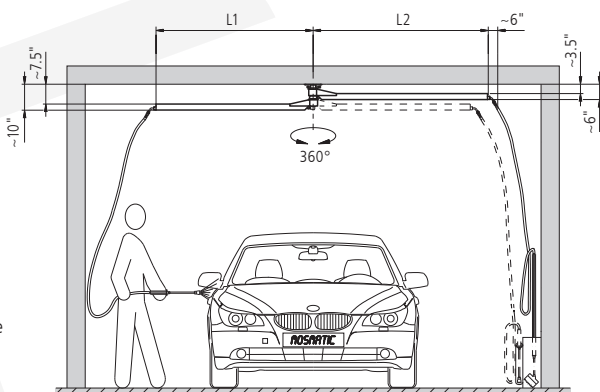


Accessories see page 107

### Ceiling Mounting Plate



Bearable load for each bore at least 30'000 N (for example 1/2" bolt)



### Legend

**M.** = metric thrust, **..M** = male, **F** = female, **G** = gas pipe thrust, **QV** = quick connects, **SV** = profile ring fitting  
**D** = diameter, **k** = conical, **L** = length, **NW** = nominal width, **SW** = wrench size, **IN** = media input, **OUT** = media output, **RS** = basic position