

Assembled Tire Cleaner

- ✓ stainless steel (INOX)
- ✓ with mounting plate
- ✓ high quality swivel
- ✓ 4 nozzles inlets

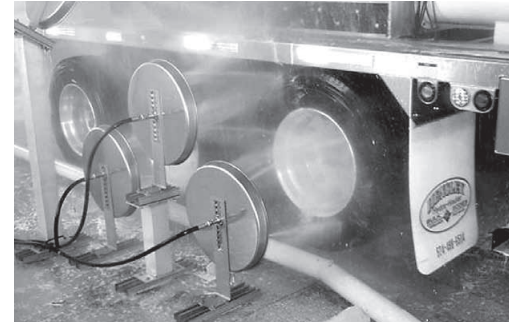
Or build your own Tire Cleaner. See below.

Technical Data

Pressure 4000 psi
Temperature 250°F
RPM up to 2000 RPM.

Body Diameter 21"
Water supply 3/8" NPTF
Nozzle inlet 4x 1/8" NPTF

Throughput medium pH 3 bis 12



TYW

| Part No. | Swivel | Rotor arm | Weight |
|----------|----------------------|-----------|----------|
| 84.504 | Standard DYF | 16"/10" | 15.8 lbs |
| 84.514 | Standard DYF | 18.5"/14" | 16.1 lbs |
| 84.509 | High performance DYT | 16"/10" | 18.5 lbs |
| 84.519 | High performance DYT | 18.5"/14" | 17.8 lbs |

Nozzles not included.

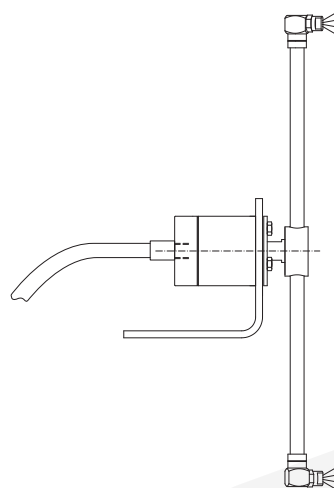
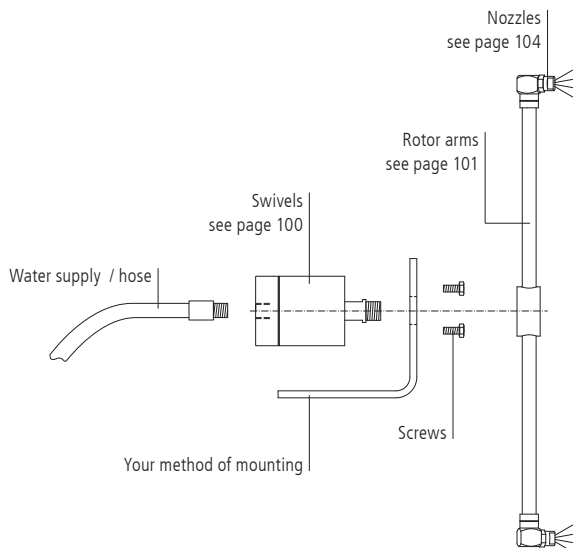


Build to your specifications

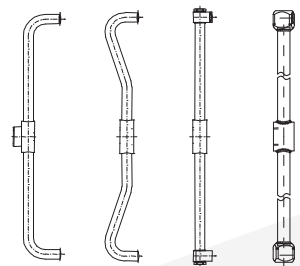
The required components are available from Mosmatic. Choose a swivel, rotor arms, insert nozzles and you are ready. Our Customer Service Representatives will happily assist you in building your application.

Operation

Water provides pressure for the rotor arms to rotate independently. The arms rotate solely by the recoil force of the nozzles and requires no other power. A simple but effective way for the optimal cleaning effect.



Other Varieties



Legend

M.. = metric thrust, **..M** = male, **F** = female, **G** = gas pipe thrust, **QV** = quick connects, **SV** = profile ring fitting
D = diameter, **k** = conical, **L** = length, **NW** = nominal width, **SW** = wrench size, **IN** = media input, **OUT** = media output, **RS** = basic position