

Extension-Arm

- ✓ 180° rotation (WSA)
- ✓ polished stainless steel
- ✓ tough design
- ✓ ready to use
- ✓ Ceiling boom two medium (DP2)
- ✓ 360° rotation (DKP or DP2)
- ✓ self lubricated ball bearing
- ✓ hose protection / tension relief

Technical Data

Pressure 4000 psi (27.5 MPa)
Temperature 250°F
Inlet (top & side) 3/8" NPTF
Outlet 3/8" NPTM

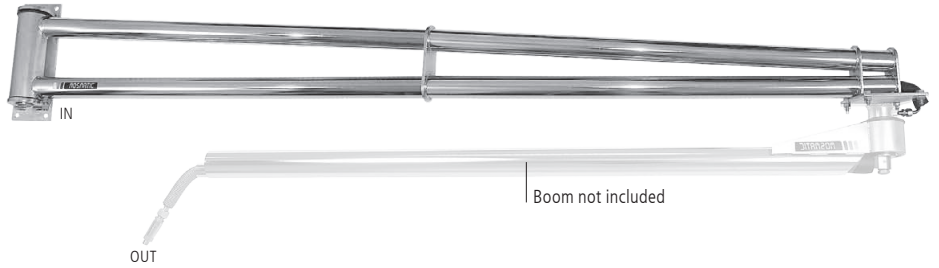
Throughput medium pH 3 - 12



WSA (1 inner pipe = 1 inlet)

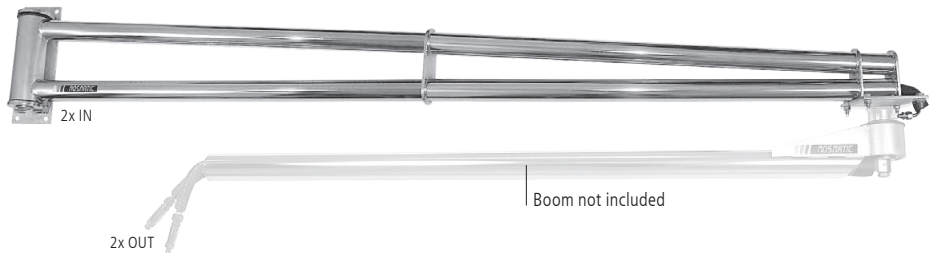
Part No.	B	Weight
60.522	6'8"	53 lbs
60.532	8'2"	58 lbs
60.542	9'10"	64 lbs
60.930	19'8"	88 lbs

Relevant DKP boom see page 78



WSA-2R (2 inner pipe = 2 inlets)

Part No.	B	Weight
60.910	6'8"	55 lbs
60.911	8'2"	60 lbs
60.912	9'10"	66 lbs



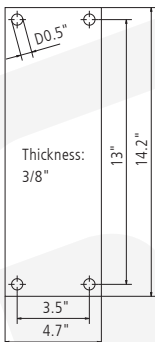
DP2

Part No.	L	Weight
66.451	4'9"	24 lbs
66.452	5'3"	25 lbs
66.453	5'9"	25.5 lbs
66.454	6'3"	26 lbs
66.455	6'9"	27 lbs
66.456	7'5"	27.5 lbs
66.457	8'2"	28 lbs
66.458	9'	29 lbs
66.459	9'10"	30 lbs

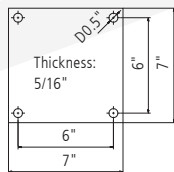
Accessories see page 107



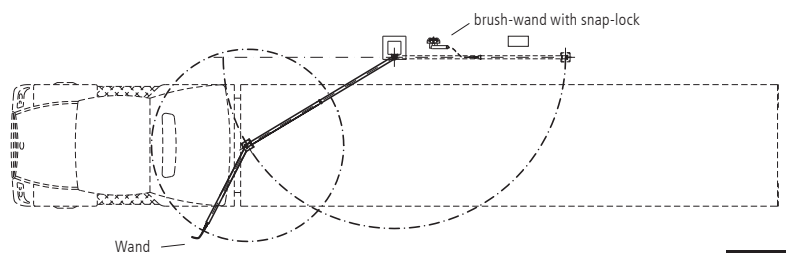
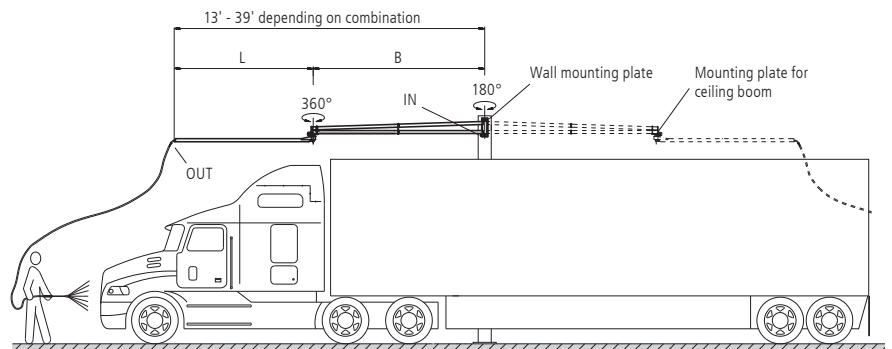
Wall Mounting Plate



Ceiling Mounting Plate



Bearable load for each bore at least 30'000 N (for example 1/2" bolt)



Legend

M. = metric thrust, **.M** = male, **F** = female, **G** = gas pipe thrust, **QV** = quick connects, **SV** = profile ring fitting
D = diameter, **k** = conical, **L** = length, **NW** = nominal width, **SW** = wrench size, **IN** = media input, **OUT** = media output, **RS** = basic position