

- ✓ 180° rotation
- ✓ polished stainless steel
- ✓ tough design
- ✓ self lubricated ball bearing
- ✓ high quality swivels included
- ✓ insulated high pressure hose or insulated high pressure pipe
- ✓ hose protection / tension relief
- ✓ ready to use

Technical Data

Pressure 4000 psi (27.5 MPa)
Temperature 250°F
Inlet (top) 3/8" NPTF
Outlet 3/8" NPTF

Throughput medium pH 3 - 12



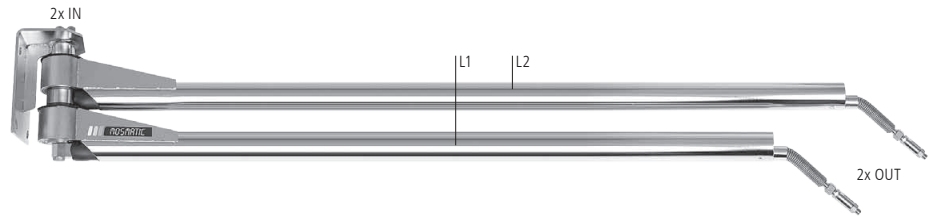
WAE

Part No.	L1	L2	Weight
68.509	4'9"	-	22 lbs
68.519	5'3"	-	24 lbs
68.529	5'9"	-	24 lbs
68.539	6'3"	-	24 lbs
68.549	6'9"	-	25 lbs
68.559	7'5"	-	26 lbs
68.569	8'2"	-	27 lbs
68.579	9'	-	29 lbs
68.589	9'10"	-	31 lbs



WAD

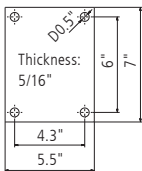
Part No.	L1	L2	Weight
61.409	4'9"	5'3"	42 lbs
61.419	5'3"	5'9"	43 lbs
61.429	5'9"	6'3"	43 lbs
61.439	6'3"	6'9"	44 lbs
61.449	6'9"	7'5"	45 lbs
61.459	7'5"	8'2"	48 lbs



Accessories see page 107

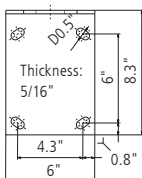
Wall Mounting Plate

WAN

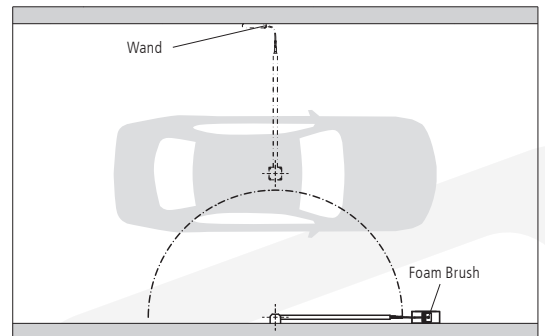
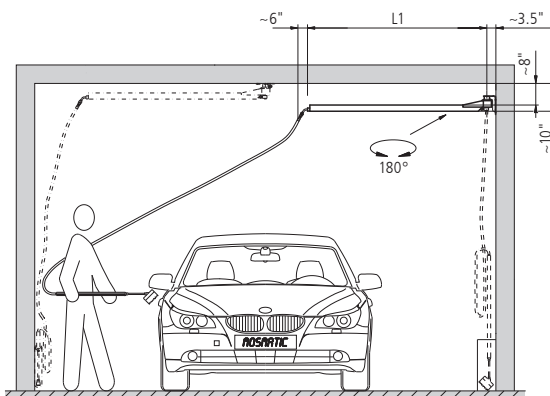


Wall Mounting Plate

WAD/WAE



Bearable load for each bore at least 30'000 N (for example 1/2" bolt)



Legend

M.. = metric thrust, **..M** = male, **F** = female, **G** = gas pipe thrust, **QV** = quick connects, **SV** = profile ring fitting
D = diameter, **k** = conical, **L** = length, **NW** = nominal width, **SW** = wrench size, **IN** = media input, **OUT** = media output, **RS** = basic position