

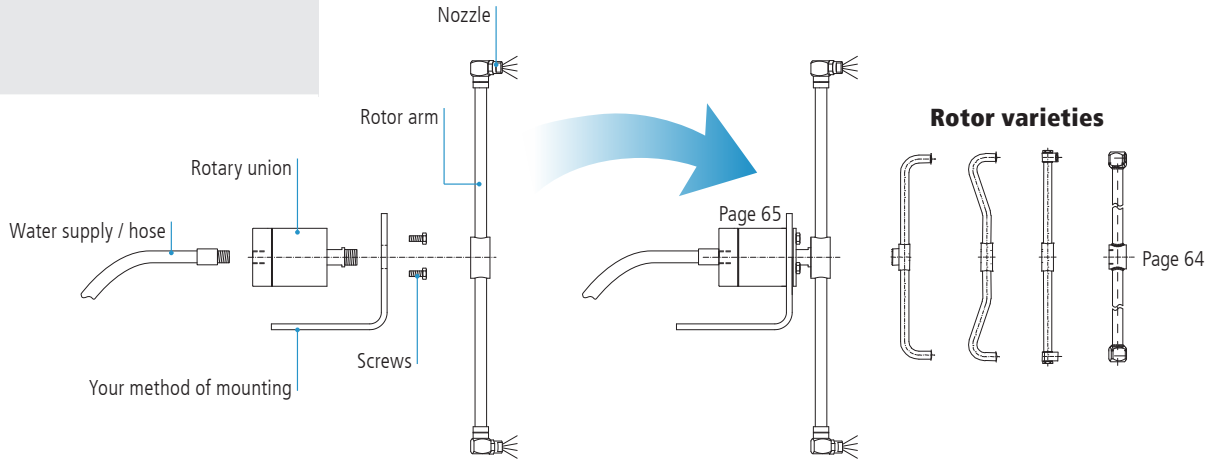
On this page we will show you how easy it is to build a modular system.

## FUNCTIONALITY

As the water pressure builds, the rotor arms begin to rotate independently. The arm rotates only by the force of the water jet and requires no other power. A simple but efficient and solid product for a optimum cleaning effect. Manufacturers use our components for exactly this reason.

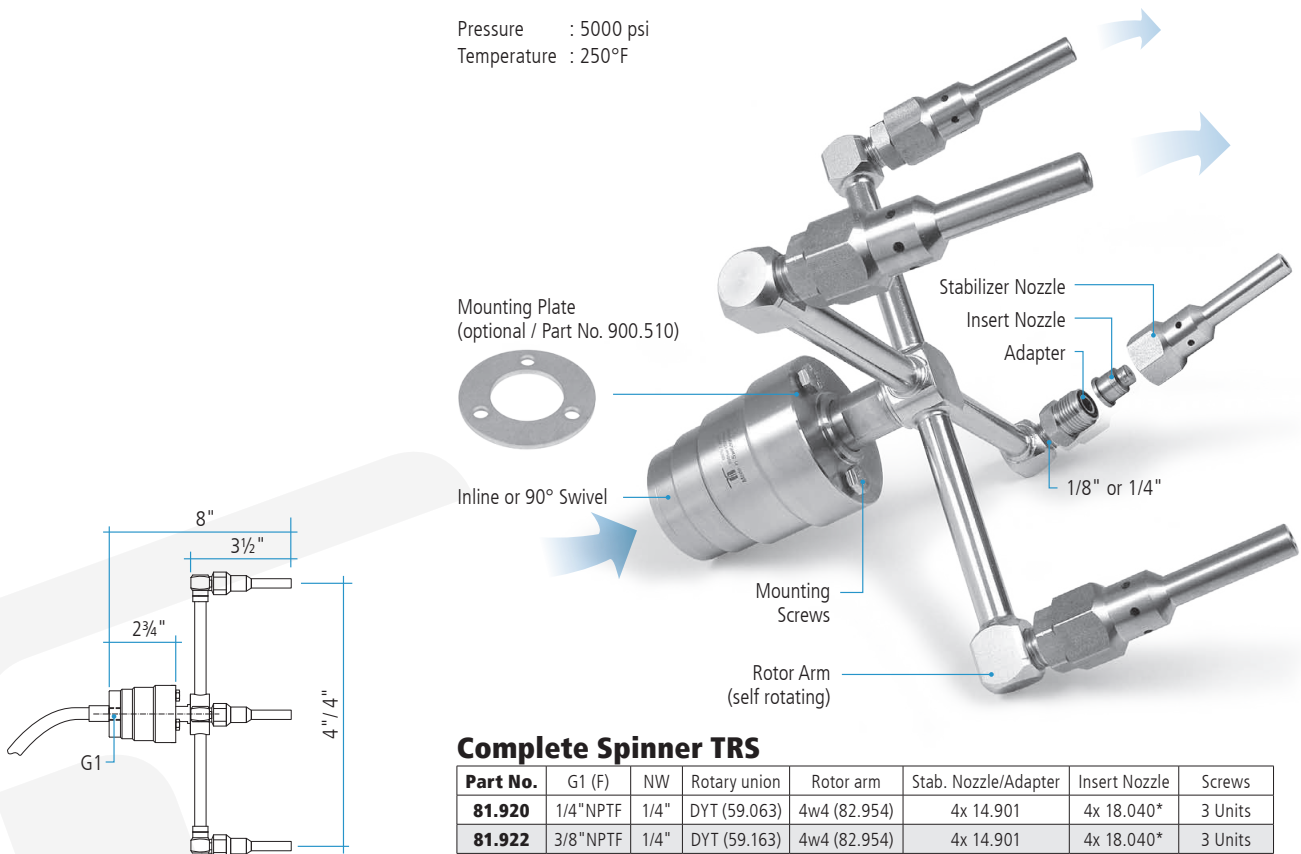
### Rotation Unit according to your specifications.

Select a swivel, attach rotor arm and screw in nozzles and your unit is assembled. To get the best products for your application please see below:



## APPLICATION EXAMPLE

Pressure : 5000 psi  
Temperature : 250°F



### Complete Spinner TRS

Part No.	G1 (F)	NW	Rotary union	Rotor arm	Stab. Nozzle/Adapter	Insert Nozzle	Screws
81.920	1/4"NPTF	1/4"	DYT (59.063)	4w4 (82.954)	4x 14.901	4x 18.040*	3 Units
81.922	3/8"NPTF	1/4"	DYT (59.163)	4w4 (82.954)	4x 14.901	4x 18.040*	3 Units

\* other versions or sizes upon request.